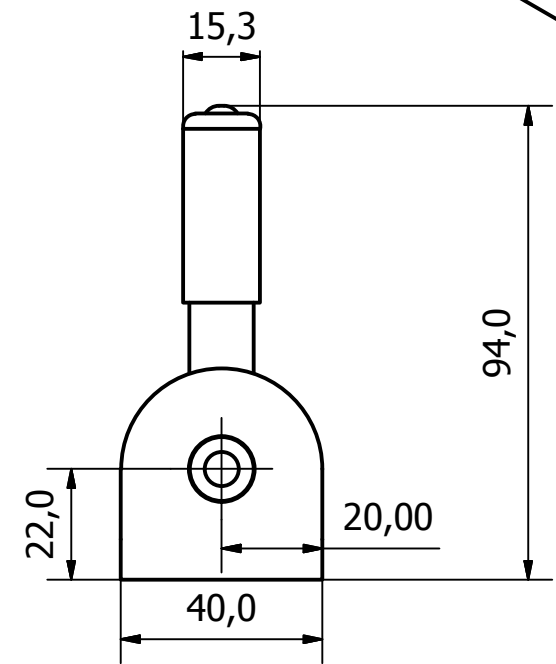
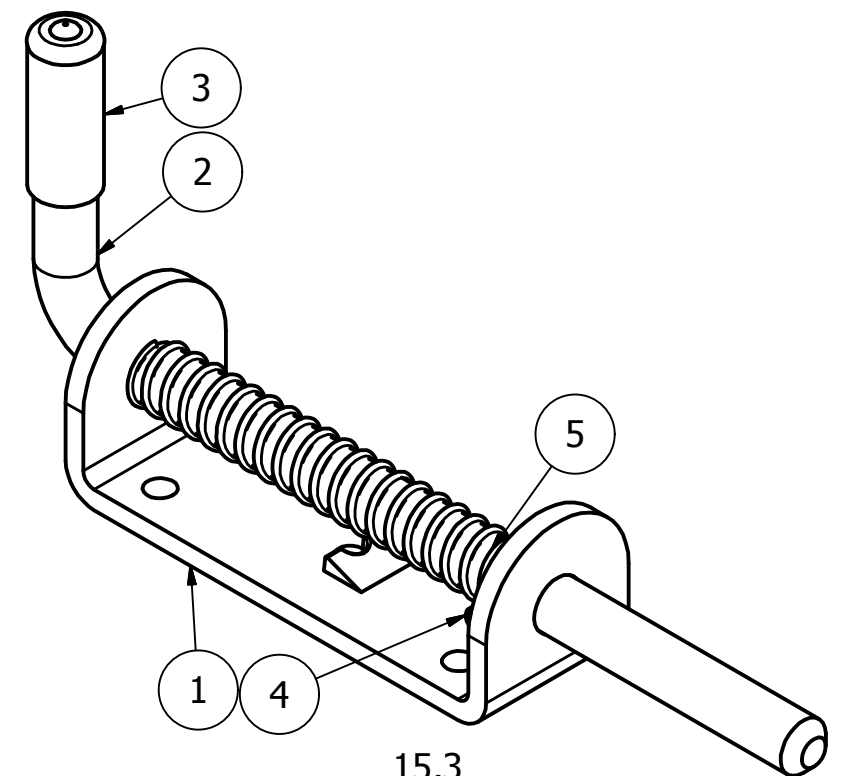


PARTS LIST			
ITEM	QTY	PART NUMBER	DESCRIPTION
1	1	0841-001-1	M/STEEL SPRING BOLT BASE PLATE
2	1	0841-001-2	M/STEEL 90 DEG BOLT - 216.35 O/A
3	1	0841-001-3	RED PLASTIC CAP
4	1	0841-001-4	M/STEEL BOLT PIN - 31.5 O/A
5	1	0841-001-5	M/STEEL SPRING



GENERAL TOLERANCES ON LENGTHS	
0.5 - 6 ± 0.1mm	
6 - 30 ± 0.2mm	
30 - 120 ± 0.3mm	
120 - 400 ± 0.5mm	
400 - 1000 ± 0.8mm	
1000 - 1200 ± 1.2mm	
2000 - 4000 ± 2.0mm	

1	VALIDATION COMPLETE	07/12/16	A.P
REV	DESCRIPTION	DATE	APPROVED
U.F	A.P		
		SCALE 1:1.5	MATERIAL -
		MASS 0.548 kg	FINISH Z/C PASSIVATE
		Date 24/11/2016	ALL DIMS IN MM UNLESS STATED DO NOT SCALE
1/2" SPRING BOLT ASSEMBLY			A3
0841-001	Edition 1	Sheet 1 / 1	